



## SOIL COMPACTORS CR

Paver Roller

Vibratory Plates

Soil Compactors

Vibratory Rammers

Duplex/Trench Rollers

Concrete-/Cutting Technology

Benefits

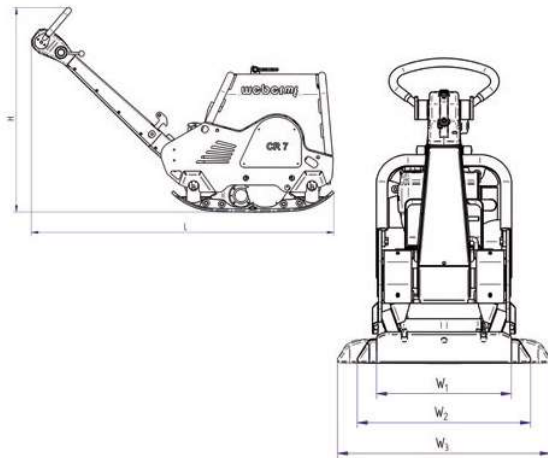
The reversible CR soil compactors stand out above the competition with their superb compacting capacity and superior efficiency. Machines made by Weber MT are always the number one choice - whether they are needed for classic applications in road building and civil engineering or for embedding paving stones.

Their balanced operating characteristics and exceptionally smooth operation with low hand-arm vibrations provide for superb ease of use.



Apart from the standard features including E-start, other features are also offered for CR 6 to CR 9 soil compactors with Hatz diesel engine. The features available in the „MDM“ and the „CCD 2.0“ versions of these models include, respectively, an engine data management system and the COMPATROL® compaction control system.





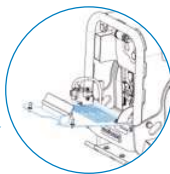
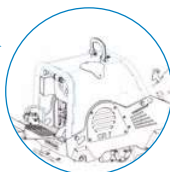
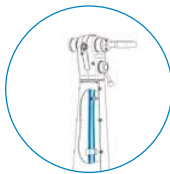
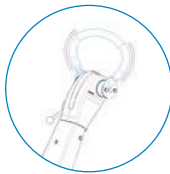
Typ	CR 6 CR 6 MDM / CR 6 CCD 2.0	CR 7 CR 7 MDM / CR 7 CCD 2.0
Operating weight CECE, kg	412/414/414	475/477/477
Working width, cm	(45) 59 (74)	65 (80)
Centrifugal force, kN	55	65
Frequency, Hz	72	74
Engine	Hatz 1B40 Diesel	Hatz 1B40 Diesel
Engine output, max. kW (HP)	7.5 (10.3)	7.5 (10.3)
Power output at operating speed	5.8 (7.9) at 2,750 kW (HP) at r.p.m.	5.8 (7.9) at 2,750 kW (HP) at r.p.m.
Working speed, m/min	0–24	0–24
Dimensions (L x W x H), cm	171 x 59 x 116	171 x 65 x 116

# REVERSIBLE SOIL COMPACTOR CR 7

Performance and comfort in perfection

## ADVANTAGES

- Infinitely variable hydraulic shifting mechanism used for forward and reverse travel.
- Low hand-arm vibrations.
- To ensure they are protected, hydraulic hoses are located inside the guide bar.
- Work without getting tired thanks to a height-adjustable guide bar.
- The engine is protected against external damage by a rugged protection frame and engine cover.
- Low maintenance requirements thanks to the centrifugal clutch with automatic tensioning feature.
- Simple maintenance as all maintenance components are easily accessible.
- Quick and safe loading thanks to large, hinged lifting eye.
- Can be lashed securely for transport thanks to additional eyelets in the engine console.
- Flexible operation with regards to working widths thanks to extension plates.
- E-start with operating hour meter as well as oil and voltage control.
- Improved operational safety thanks to MDM engine management for air filter, oil pressure, battery voltage, etc.



## AREAS OF APPLICATION

- Road building, civil engineering, landscape/Hardscape and building construction.
- Compaction of paving stones.
- Sand and gravel compaction applications.



## EQUIPMENT



Standard



Engine protection



Compaction control system COMPATROL® 2.0



## AVAILABLE ACCESSORIES

- Extension plates.
- Polyurethane pad.

Paver Roller

Vibratory Plates

Soil Compactors

Vibratory Rammers

Duplex/Trench Rollers

Concrete-/Cutting Technologie

Benefits

# COMPATROL® 2.0 – THE CONTINUOUS COMPACTION CONTROL SYSTEM



Reversible soil compactors CR 6 CCD 2.0, CR 7 CCD 2.0, CR 8 CCD 2.0, CR 9 CCD 2.0

The compaction control COMPATROL® CCD 2.0 enables even more constant and comprehensive compaction. Weak points can be easily recognized and – what is important – repaired in time. Therefore, less passes are necessary. That saves time and money. Up to 25 % of time can be saved with the help of COMPATROL® CCD 2.0.

The MDM engine protection is already included in COMPATROL® CCD 2.0. Thereby it offers double safety.

## MDM VERSION PLUS THE FOLLOWING FEATURES

- COMPATROL® 2.0 allows for uniform compaction across the entire compacted surface.
- Weak spots in the soil can be detected and corrected quickly.
- Easy-to-understand and self-explanatory LED display.
- Savings in cost/time of up to 25 % due to fewer passes.



### How the compaction control COMPATROL® 2.0 works:

The base plate of the soil compactor is fitted with a sensor. This sensor measures the changes in vibration characteristics during compacting to calculate the soil stiffness. The result is indicated to the operator with an LED scale on the display. If no additional diodes turn on while the next pass, that means: Maximum compaction has been achieved.

